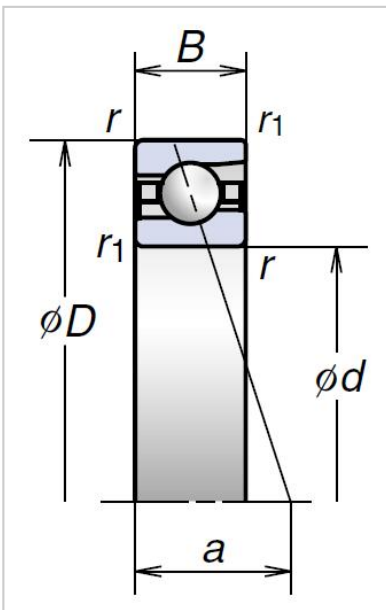


Ultra High-Speed Angular Contact Ball Bearings

BGR Series Ultra High-Speed Angular Contact Ball Bearings-20BGR02H



Bearing NO.	20BGR02H
Dimensions	
D (mm)	20
d (mm)	47
2B (mm)	14
r Min	1
r1 Min	0.6
Basic Loading Ratings(KN)	
Cr (Dynamic)	9.7
C0r (Static)	4.1
Permissible axial load (KN)	3.3
Effective load center(mm) a	11.5
Limiting speeds [rpm]min-1	
Grease	56800
Oil	83600
Weight (kg)	0.091