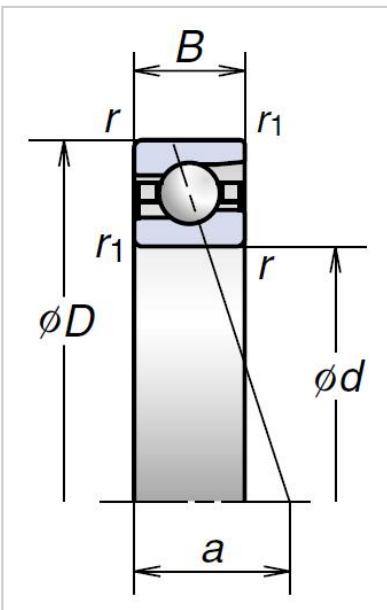


Ultra High-Speed Angular Contact Ball Bearings

BGR Series Ultra High-Speed Angular Contact Ball Bearings-17BGR10S



Bearing NO.	17BGR10S
Dimensions	
D (mm)	17
d (mm)	35
2B (mm)	10
r Min	0.3
r1 Min	0.15
Basic Loading Ratings(KN)	
Cr (Dynamic)	4.45
C0r (Static)	1.93
Permissible axial load (KN)	2.39
Effective load center(mm) a	8.5
Limiting speeds [rpm]min-1	
Grease	61600
Oil	84700
Weight (kg)	0.038