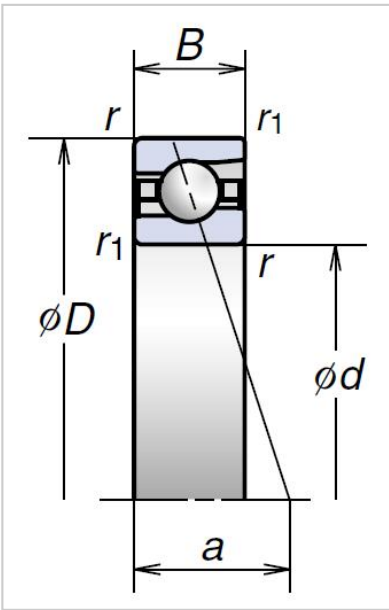


Ultra High-Speed Angular Contact Ball Bearings

BGR Series Ultra High-Speed Angular Contact Ball Bearings-17BGR10H



Bearing NO.	17BGR10H
Dimensions	
D (mm)	17
d (mm)	35
2B (mm)	10
r Min	0.3
r1 Min	0.15
Basic Loading Ratings(KN)	
Cr (Dynamic)	4.45
C0r (Static)	1.93
Permissible axial load (KN)	1.55
Effective load center(mm) a	8.5
Limiting speeds [rpm][min-1]	
Grease	73100
Oil	108000
Weight (kg)	0.035