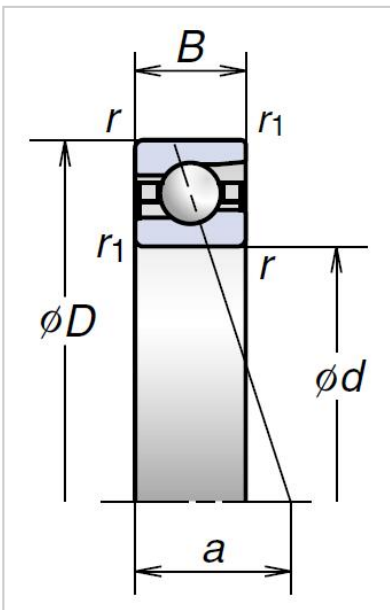


Ultra High-Speed Angular Contact Ball Bearings

BGR Series Ultra High-Speed Angular Contact Ball Bearings-17BGR02S



Bearing NO.	17BGR02S
Dimensions	
D (mm)	17
d (mm)	40
2B (mm)	12
r Min	0.6
r1 Min	0.3
Basic Loading Ratings(KN)	
Cr (Dynamic)	7.25
C0r (Static)	2.98
Permissible axial load (KN)	3.65
Effective load center(mm) a	9.8
Limiting speeds [rpm][min-1]	
Grease	56200
Oil	77200
Weight (kg)	0.065