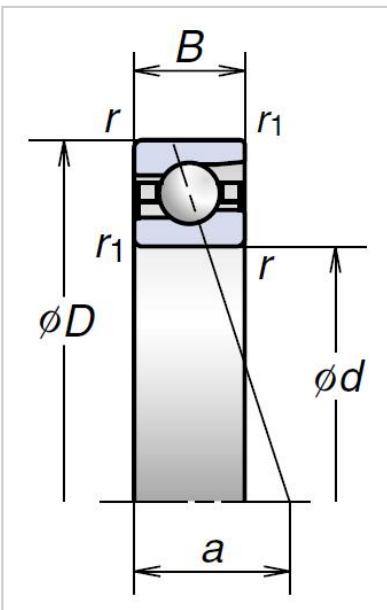


Ultra High-Speed Angular Contact Ball Bearings

BGR Series Ultra High-Speed Angular Contact Ball Bearings-15BGR19X



Bearing NO.	15BGR19X
Dimensions	
D (mm)	15
d (mm)	28
2B (mm)	7
r Min	0.3
r1 Min	0.15
Basic Loading Ratings(KN)	
Cr (Dynamic)	3.25
C0r (Static)	1.35
Permissible axial load (KN)	1.09
Effective load center(mm) a	6.4
Limiting speeds [rpm][min-1]	
Grease	103000
Oil	140000
Weight (kg)	0.014