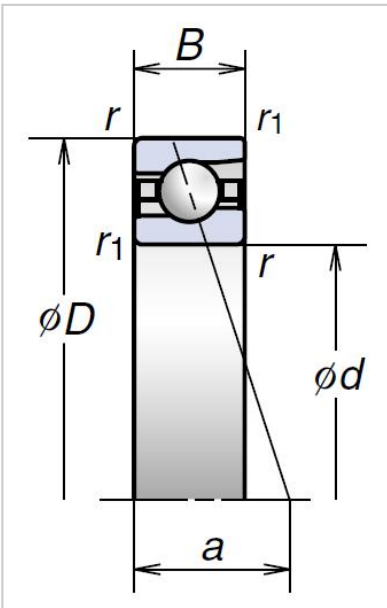


## Ultra High-Speed Angular Contact Ball Bearings

### BGR Series Ultra High-Speed Angular Contact Ball Bearings-15BGR19H



Bearing NO.	<b>15BGR19H</b>
Dimensions	
D (mm)	<b>15</b>
d (mm)	28
2B (mm)	7
r Min	0.3
r1 Min	0.15
Basic Loading Ratings(KN)	
Cr (Dynamic)	3.25
C0r (Static)	1.35
Permissible axial load (KN)	1.09
Effective load center(mm) a	6.4
Limiting speeds [rpm]min-1	
Grease	88400
Oil	131000
Weight (kg)	0.014