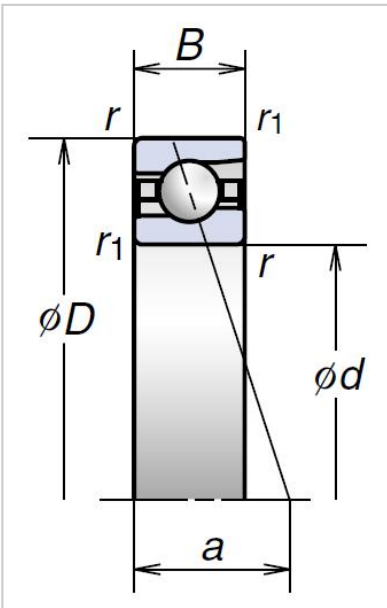


Ultra High-Speed Angular Contact Ball Bearings

BGR Series Ultra High-Speed Angular Contact Ball Bearings-15BGR10H



Bearing NO.	15BGR10H
Dimensions	
D (mm)	15
d (mm)	32
2B (mm)	9
r Min	0.3
r1 Min	0.15
Basic Loading Ratings(KN)	
Cr (Dynamic)	4.2
C0r (Static)	1.72
Permissible axial load (KN)	1.37
Effective load center(mm) a	7.6
Limiting speeds [rpm]min-1	
Grease	80900
Oil	120000
Weight (kg)	0.026