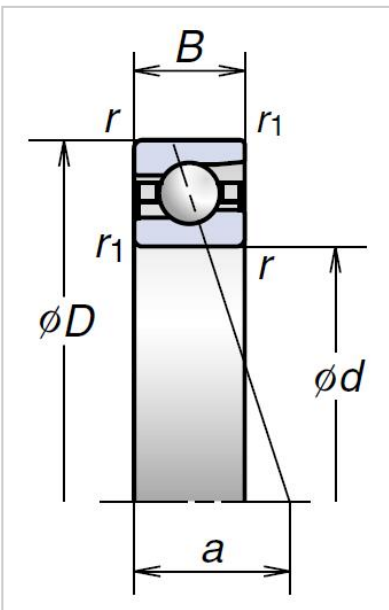


Ultra High-Speed Angular Contact Ball Bearings

BGR Series Ultra High-Speed Angular Contact Ball Bearings-10BGR10X



Bearing NO.	10BGR10X
Dimensions	
D (mm)	10
d (mm)	26
2B (mm)	8
r Min	0.3
r1 Min	0.15
Basic Loading Ratings(KN)	
Cr (Dynamic)	3.5
C0r (Static)	1.27
Permissible axial load (KN)	1
Effective load center(mm) a	6.4
Limiting speeds [rpm][min-1]	
Grease	123000
Oil	167000
Weight (kg)	0.016