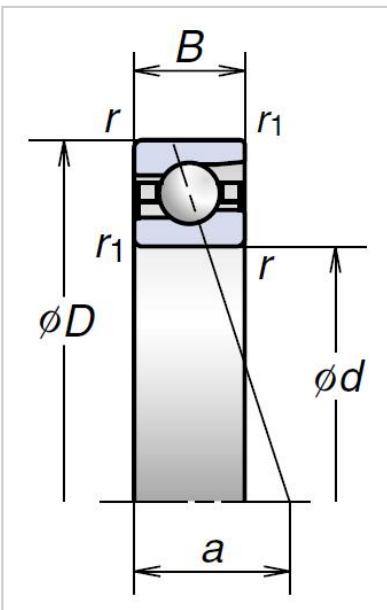


## Ultra High-Speed Angular Contact Ball Bearings

### BGR Series Ultra High-Speed Angular Contact Ball Bearings-10BGR10H



Bearing NO.	<b>10BGR10H</b>
Dimensions	
D (mm)	<b>10</b>
d (mm)	26
2B (mm)	8
r Min	0.3
r1 Min	0.15
Basic Loading Ratings(KN)	
Cr (Dynamic)	3.5
C0r (Static)	1.27
Permissible axial load (KN)	<b>1</b>
Effective load center(mm) a	6.4
Limiting speeds [rpm]min-1	
Grease	106000
Oil	156000
Weight (kg)	0.016