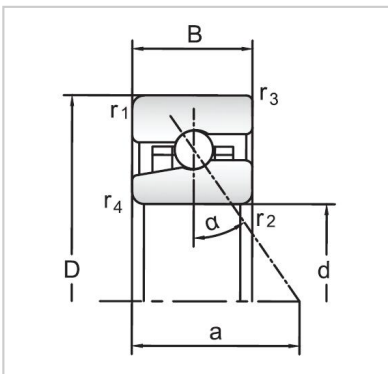


Angular Contact Ball Bearing

H7XXX series ultra-high speed angular contact ball bearings-H7010AC



Designation	H7010AC
Dimensions	
d	50
D	80
B	16
Basic loading	
Dynamic C KN	14.8
Static C0 kN	10
Limiting Speed	
Greas	23000
Oil	34000
Weight	
kg	0.25

H7XXX series ultra-high speed angular contact ball bearings are products developed for high-speed operation, low temperature rise, and ultra-precision machining. This series mainly includes 70 and 719 series, with contact angles of 15°, 18°, and 25°. The ball materials include steel balls and ceramic balls. The cages include outer ring guided phenolic resin cages, outer ring guided resin cages, and rolling element guided polyamide resin cages. This series achieves high performance characteristics of high rigidity and low heat generation through optimized design.

H7XXX series ultra-high speed angular contact ball bearings can meet the high speed performance of bearings, enhance running accuracy, improve system stiffness, reduce heat generation, reduce noise and vibration, which are the challenges faced by the bearing industry. In applications such as high-speed machining centers, milling machines, internal grinders and woodworking machines, they have high reliability and excellent operating results. Bearings with high-speed design are conducive to bearing radial loads and axial loads in one direction. The larger number of spherical rolling elements in the bearings is also conducive to bearing heavier loads.

The cage guided by the outer ring of the bearing is made of fiber-reinforced phenolic resin, which is to better provide lubrication for the contact area of the spherical rolling element raceway. The optimized guiding clearance between the cage and the outer ring significantly improves the performance under high-speed operation. The chamfer shape at the inner and outer rings has been optimized to improve the installation accuracy, depending on the bearing series and size. This not only simplifies the installation process, but also reduces the risk of damage to related components. The open fit of the H7XXX series ultra-high speed angular contact ball bearings gives the bearings high speed performance.

Our company has professional sales and technical engineers who are responsible for providing users with technical consultation, technical services and product technical training on precision bearing materials and installation and use. Perfect pre-sales, in-sales and after-sales services constitute a guarantee system for high-quality services, providing users with reliable quality bearing products and creating excellent user experience and rich benefits for every customer.

If you have any questions about products and services, please contact the company's service department directly.

