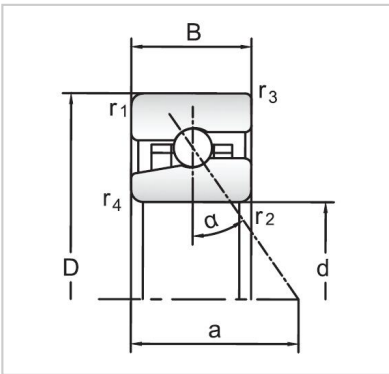


Angular Contact Ball Bearings

High speed Angular Contact Ball Bearings-XCB706C.T.P4S



Bearing NO.	XCB706C.T.P4S
Dimensions(mm)	
d	6
D	17
B	6
Basic Loading Ratings(KN)	
C	0.3
C0	0.3
Fatigue limit Pu (kN)	5
Calculation coefficient	17
f0	
Limiting speeds (r/min)	
Grease	39
Oil	15
d1 ~	56
D1 ~	138
r1,2 min	7.5
r3,4 min	13
a	19.5
da,db min (mm)	0.004
Da max (mm)	
Db max (mm)	
ra max (mm)	
rb max (mm)	
Weight (kg)	