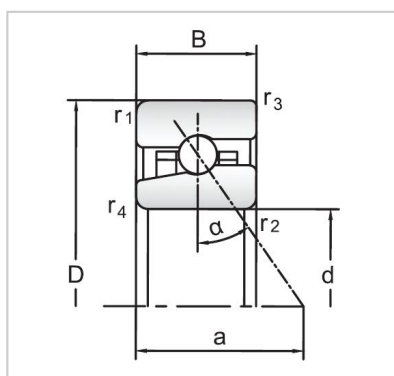


## Angular Contact Ball Bearings

### High speed Angular Contact Ball Bearings-H71922C



Bearing NO.	<b>H71922C</b>
Dimensions(mm)	
d	110
D	150
B	20
Basic Loading Ratings(KN)	
C	39.7
C0	34.5
Fatigue limit Pu (kN)	1.25
Calculation coefficient	8.6
f0	
Limiting speeds (r/min)	
Grease	12 000
Oil	18000
d1 ~	122.4
D1 ~	137.51
r1,2 min	1.1
r3,4 min	0.6
a	29
da,db min (mm)	111
Da max (mm)	139
Db max (mm)	145.8
ra max (mm)	1.1
rb max (mm)	0.6
Weight (kg)	0.83