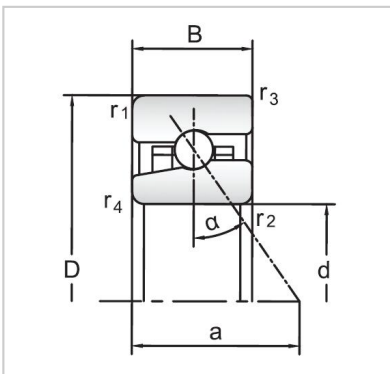


## Angular Contact Ball Bearings

### High speed Angular Contact Ball Bearings-H71914 C/HC



Bearing NO.	<b>H71914 C/HC</b>
Dimensions(mm)	
d	70
D	100
B	16
Basic Loading Ratings(KN)	
C	22.1
C0	16.3
Fatigue limit Pu (kN)	0.68
Calculation coefficient	8.4
f0	
Limiting speeds (r/min)	
Grease	22000
Oil	34 000
d1 ~	79.3
D1 ~	90.5
r1,2 min	<b>1</b>
r3,4 min	0.3
a	20
da,db min (mm)	74.6
Da max (mm)	95.4
Db max (mm)	97.6
ra max (mm)	<b>1</b>
rb max (mm)	0.3
Weight (kg)	0.27