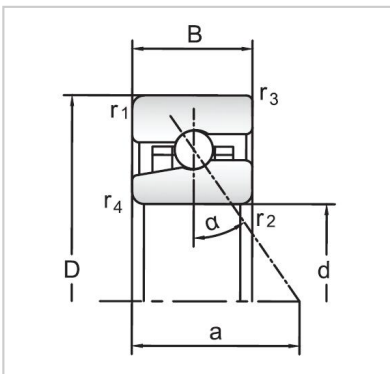


Angular Contact Ball Bearings

High speed Angular Contact Ball Bearings-H71914 C



| | |
|---------------------------|-----------------|
| Bearing NO. | H71914 C |
| Dimensions(mm) | |
| d | 70 |
| D | 100 |
| B | 16 |
| Basic Loading Ratings(KN) | |
| C | 22.1 |
| C0 | 16.3 |
| Fatigue limit Pu (kN) | 0.68 |
| Calculation coefficient | 8.4 |
| f0 | |
| Limiting speeds (r/min) | |
| Grease | 18500 |
| Oil | 28 000 |
| d1 ~ | 79.3 |
| D1 ~ | 90.5 |
| r1,2 min | 1 |
| r3,4 min | 0.3 |
| a | 20 |
| da,db min (mm) | 74.6 |
| Da max (mm) | 95.4 |
| Db max (mm) | 97.6 |
| ra max (mm) | 1 |
| rb max (mm) | 0.3 |
| Weight (kg) | 0.32 |