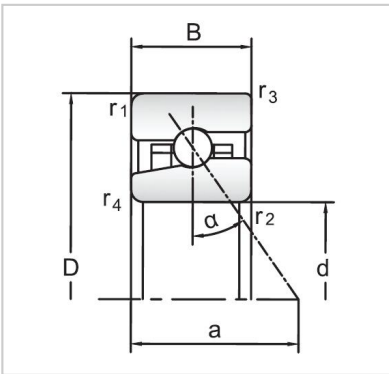


Angular Contact Ball Bearings

High speed Angular Contact Ball Bearings-H71912 AC



Bearing NO.	H71912 AC
Dimensions(mm)	
d	60
D	85
B	13
Basic Loading Ratings(KN)	
C	15.3
C0	11.2
Fatigue limit Pu (kN)	0.475
Calculation coefficient	-
f0	
Limiting speeds (r/min)	
Grease	19500
Oil	30 000
d1 ~	67.8
D1 ~	77.3
r1,2 min	1
r3,4 min	0.3
a	25
da,db min (mm)	64.6
Da max (mm)	80.4
Db max (mm)	82.6
ra max (mm)	1
rb max (mm)	0.3
Weight (kg)	0.19