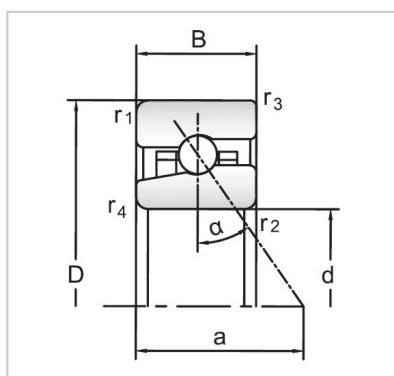


## Angular Contact Ball Bearings

### High speed Angular Contact Ball Bearings-H71910C/HC



Bearing NO.	<b>H71910C/HC</b>
Dimensions(mm)	
d	50
D	72
B	12
Basic Loading Ratings(KN)	
C	12.7
C0	8.65
Fatigue limit Pu (kN)	0.365
Calculation coefficient	8.4
f0	
Limiting speeds (r/min)	
Grease	32000
Oil	48000
d1 ~	56.7
D1 ~	65.3
r1,2 min	0.6
r3,4 min	0.3
a	15
da,db min (mm)	53.2
Da max (mm)	68.8
Db max (mm)	69.6
ra max (mm)	0.6
rb max (mm)	0.3
Weight (kg)	0.11