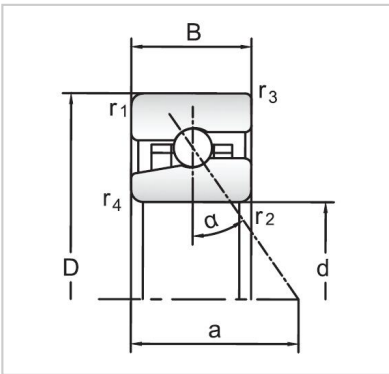


Angular Contact Ball Bearings

High speed Angular Contact Ball Bearings-H71904AC



Bearing NO.	H71904AC
Dimensions(mm)	
d	20
D	37
B	9
Basic Loading Ratings(KN)	
C	4.68
C0	2.28
Fatigue limit Pu (kN)	0.098
Calculation coefficient	-
f0	
Limiting speeds (r/min)	
Grease	52000
Oil	78000
d1 ~	25.7
D1 ~	31.5
r1,2 min	0.3
r3,4 min	0.15
a	12
da,db min (mm)	22
Da max (mm)	35
Db max (mm)	35.6
ra max (mm)	0.3
rb max (mm)	0.15
Weight (kg)	0.036