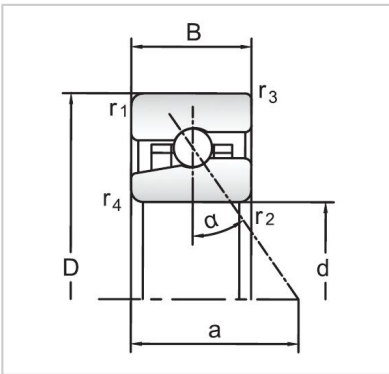


Angular Contact Ball Bearings

High speed Angular Contact Ball Bearings-H7022AC/HC



Bearing NO.	H7022AC/HC
Dimensions(mm)	
d	110
D	170
B	28
Basic Loading Ratings(KN)	
C	44.9
C0	42.5
Fatigue limit Pu (kN)	1.53
Calculation coefficient	-
f0	
Limiting speeds (r/min)	
Grease	11 500
Oil	17500
d1 ~	132.4
D1 ~	152.2
r1,2 min	2
r3,4 min	1
a	47
da,db min (mm)	118.8
Da max (mm)	161.2
Db max (mm)	164.4
ra max (mm)	2
rb max (mm)	1
Weight (kg)	1.95