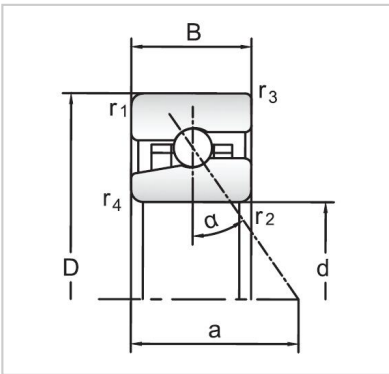


Angular Contact Ball Bearings

High speed Angular Contact Ball Bearings-H7020C/HC



Bearing NO.	H7020C/HC
Dimensions(mm)	
d	100
D	150
B	24
Basic Loading Ratings(KN)	
C	44.9
C0	40
Fatigue limit Pu (kN)	1.5
Calculation coefficient	9.5
f0	
Limiting speeds (r/min)	
Grease	14 500
Oil	22000
d1 ~	117.4
D1 ~	136
r1,2 min	1.5
r3,4 min	1
a	29
da,db min (mm)	107
Da max (mm)	143
Db max (mm)	144.4
ra max (mm)	1.5
rb max (mm)	1
Weight (kg)	1.1