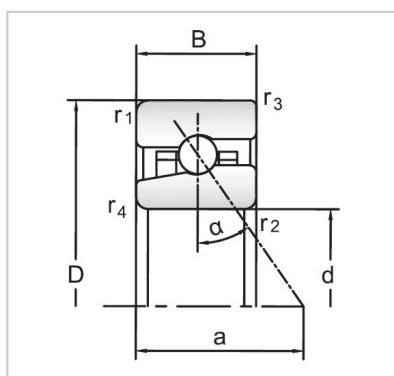


## Angular Contact Ball Bearings

### High speed Angular Contact Ball Bearings-H7012 C



Bearing NO.	<b>H7012 C</b>
Dimensions(mm)	
d	60
D	95
B	18
Basic Loading Ratings(KN)	
C	17.2
C0	12.9
Fatigue limit Pu (kN)	0.54
Calculation coefficient f0	8.5
Limiting speeds (r/min)	
Grease	20000
Oil	31 000
d1 ~	72.7
D1 ~	85.4
r1,2 min	1.1
r3,4 min	0.6
a	19
da,db min (mm)	66
Da max (mm)	89
Db max (mm)	90.8
ra max (mm)	1.1
rb max (mm)	0.6
Weight (kg)	0.42