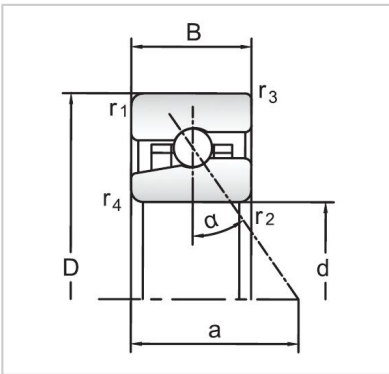


Angular Contact Ball Bearings

High speed Angular Contact Ball Bearings-H7008C/HC



Bearing NO.	H7008C/HC
Dimensions(mm)	
d	40
D	68
B	15
Basic Loading Ratings(KN)	
C	12.4
C0	7.65
Fatigue limit Pu (kN)	0.32
Calculation coefficient	8.1
f0	
Limiting speeds (r/min)	
Grease	36000
Oil	56000
d1 ~	49.7
D1 ~	60.9
r1,2 min	1
r3,4 min	0.6
a	15
da,db min (mm)	44.6
Da max (mm)	63.4
Db max (mm)	63.8
ra max (mm)	1
rb max (mm)	0.6
Weight (kg)	0.17