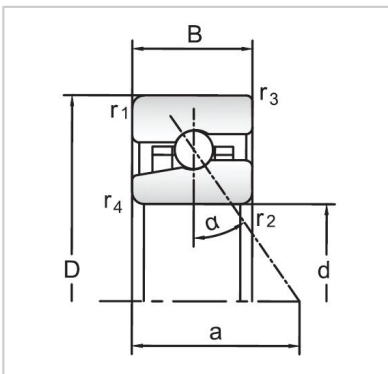


Angular Contact Ball Bearings

High speed Angular Contact Ball Bearings-H7003C



Bearing NO.	H7003C
Dimensions(mm)	
d	17
D	35
B	10
Basic Loading Ratings(KN)	
C	5.85
C0	2.55
Fatigue limit Pu (kN)	0.108
Calculation coefficient	7.2
f0	
Limiting speeds (r/min)	
Grease	63000
Oil	95000
d1 ~	22.7
D1 ~	31.2
r1,2 min	0.3
r3,4 min	0.15
a	9
da,db min (mm)	19
Da max (mm)	33
Db max (mm)	33.6
ra max (mm)	0.3
rb max (mm)	0.15
Weight (kg)	0.035