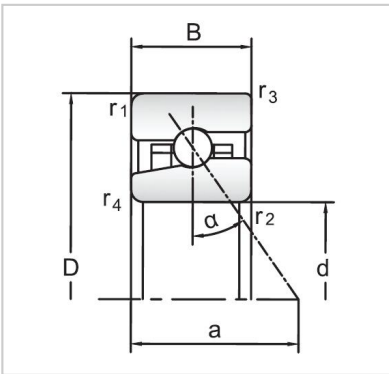


Angular Contact Ball Bearings

High speed Angular Contact Ball Bearings-B706E.T.P4S



Bearing NO.	B706E.T.P4S
Dimensions(mm)	
d	6
D	17
B	6
Basic Loading Ratings(KN)	
C	0.3
C0	0.3
Fatigue limit Pu (kN)	14
Calculation coefficient	60
f0	
Limiting speeds (r/min)	
Grease	132
Oil	42
d1 ~	187
D1 ~	429
r1,2 min	20.9
r3,4 min	36.5
a	51.4
da,db min (mm)	0.005
Da max (mm)	
Db max (mm)	
ra max (mm)	
rb max (mm)	
Weight (kg)	