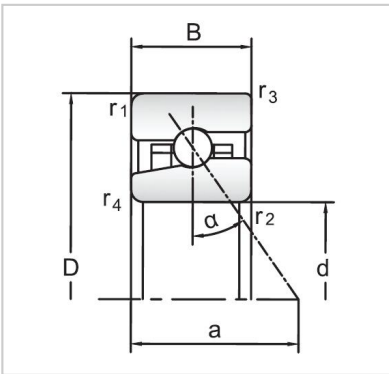


Angular Contact Ball Bearings

High speed Angular Contact Ball Bearings-



Bearing NO.	
Dimensions(mm)	
d	d
D	D
B	B
Basic Loading Ratings(KN)	
C	rsmin
C0	r1smin
Fatigue limit Pu (kN)	L
Calculation coefficient	M
f0	
Limiting speeds (r/min)	
Grease	H
Oil	L
d1 ~	M
D1 ~	H
r1,2 min	L
r3,4 min	M
a	H
da,db min (mm)	kg
Da max (mm)	
Db max (mm)	
ra max (mm)	
rb max (mm)	
Weight (kg)	