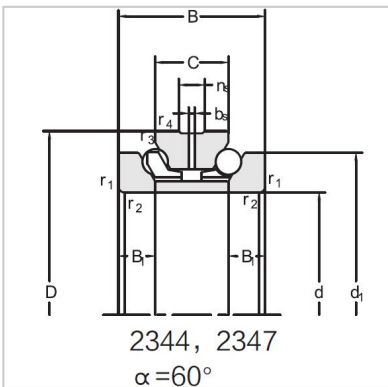


## Angular Contact Ball Bearings

### Double direction angular contact ball bearing-234740M



Bearing NO.	<b>234740M</b>
Dimension(mm)	
d	207
D	310
d1	274
T	132
C	66
B	33
rsmin	2.1
r1smin	0.6
Assembly Demension	
da	245
Da	291.5
ra	2.1
rb	0.6
Loading(KN)	
Ca	265
Coa	720
RPM(r/min)	
Lub.	1800
Oil	2600
Oil groove and oil hole(mm)	
n	15
k	8
Stiffness(N/ $\mu$ m)	
Ra	1449
Weight(Kg)	
$\approx$	29.2