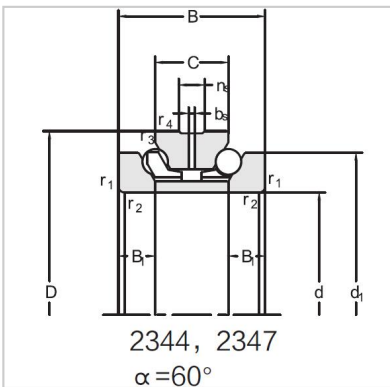


## Angular Contact Ball Bearings

### Double direction angular contact ball bearing-234736M



|                             |                |
|-----------------------------|----------------|
| Bearing NO.                 | <b>234736M</b> |
| Dimension(mm)               |                |
| d                           | 187            |
| D                           | 280            |
| d1                          | 248            |
| T                           | 120            |
| C                           | 60             |
| B                           | 30             |
| rsmin                       | 2.1            |
| r1smin                      | 0.6            |
| Assembly Demension          |                |
| da                          | 221            |
| Da                          | 263            |
| ra                          | 2.1            |
| rb                          | 0.6            |
| Loading(KN)                 |                |
| Ca                          | 216            |
| Coa                         | 585            |
| RPM(r/min)                  |                |
| Lub.                        | 2000           |
| Oil                         | 3000           |
| Oil groove and oil hole(mm) |                |
| n                           | 15             |
| k                           | 8              |
| Stiffness(N/ $\mu$ m)       |                |
| Ra                          | 1315           |
| Weight(Kg)                  |                |
| $\approx$                   | 21.5           |