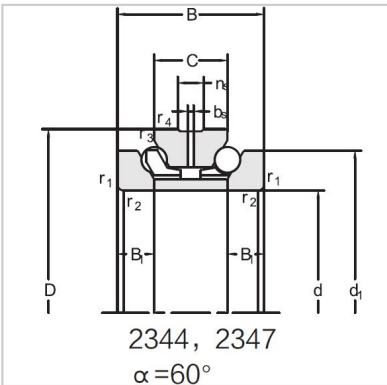


## Angular Contact Ball Bearings

### Double direction angular contact ball bearing-234734M



Bearing NO.	<b>234734M</b>
Dimension(mm)	
d	176
D	260
d1	230
T	108
C	54
B	27
rsmin	2.1
r1smin	0.6
Assembly Demension	
da	206.5
Da	245
ra	2.1
rb	0.6
Loading(KN)	
Ca	193
Coa	520
RPM(r/min)	
Lub.	2200
Oil	3200
Oil groove and oil hole(mm)	
n	15
k	8
Stiffness(N/ $\mu$ m)	
Ra	1362
Weight(Kg)	
$\approx$	16.3