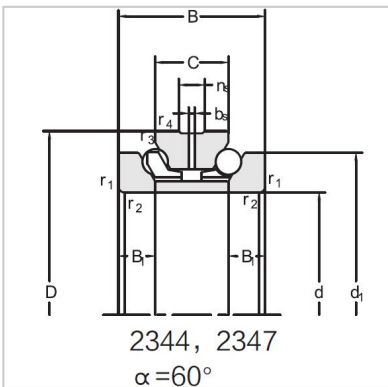


Angular Contact Ball Bearings

Double direction angular contact ball bearing-234732M



Bearing NO.	234732M
Dimension(mm)	
d	165
D	240
d1	212
T	96
C	48
B	24
rsmin	2.1
r1smin	0.6
Assembly Demension	
da	192.5
Da	226
ra	2.1
rb	0.6
Loading(KN)	
Ca	156
Coa	415
RPM(r/min)	
Lub.	2400
Oil	3400
Oil groove and oil hole(mm)	
n	15
k	8
Stiffness(N/ μ m)	
Ra	1149
Weight(Kg)	
\approx	12