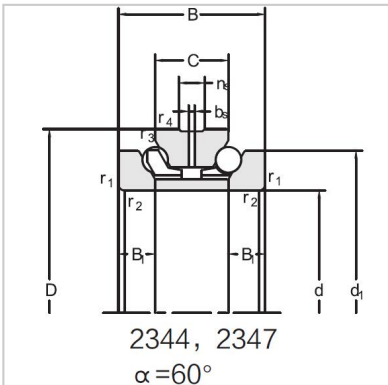


Angular Contact Ball Bearings

Double direction angular contact ball bearing-234722M



Bearing NO.	234722M
Dimension(mm)	
d	114
D	170
d1	150
T	72
C	36
B	18
rsmin	2
r1smin	0.6
Assembly Demension	
da	134.5
Da	160
ra	2
rb	0.6
Loading(KN)	
Ca	90
Coa	224
RPM(r/min)	
Lub.	3400
Oil	4500
Oil groove and oil hole(mm)	
n	9.5
k	4.8
Stiffness(N/ μ m)	
Ra	853
Weight(Kg)	
\approx	4.79