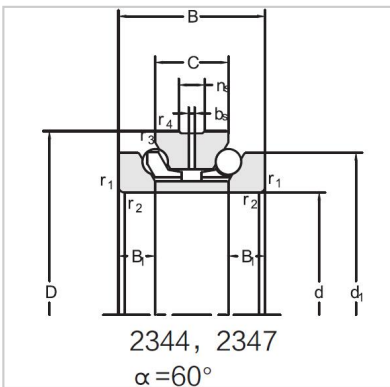


Angular Contact Ball Bearings

Double direction angular contact ball bearing-234716M



Bearing NO.	234716M
Dimension(mm)	
d	83
D	125
d1	110
T	54
C	27
B	13.5
rsmin	1.1
r1smin	0.3
Assembly Demension	
da	98.5
Da	117
ra	1
rb	0.3
Loading(KN)	
Ca	52
Coa	120
RPM(r/min)	
Lub.	4500
Oil	6000
Oil groove and oil hole(mm)	
n	6.5
k	3.2
Stiffness(N/ μ m)	
Ra	640
Weight(Kg)	
\approx	1.98