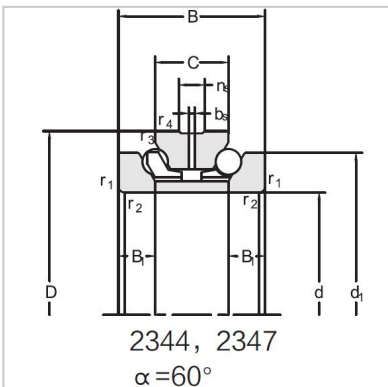


Angular Contact Ball Bearings

Double direction angular contact ball bearing-234714M



Bearing NO.	234714M
Dimension(mm)	
d	73
D	110
d1	97
T	48
C	24
B	12
rsmin	1.1
r1smin	0.3
Assembly Demension	
da	86.5
Da	103.5
ra	1
rb	0.3
Loading(KN)	
Ca	42.5
Coa	93
RPM(r/min)	
Lub.	5300
Oil	7000
Oil groove and oil hole(mm)	
n	6.5
k	3.2
Stiffness(N/μm)	
Ra	550
Weight(Kg)	
≈	1.36