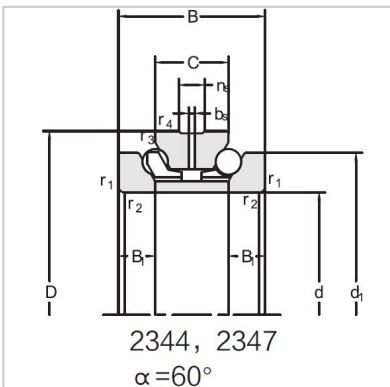


Angular Contact Ball Bearings

Double direction angular contact ball bearing-234713M



Bearing NO.	234713M
Dimension(mm)	
d	67
D	100
d1	88
T	44
C	22
B	11
rsmin	1.1
r1smin	0.3
Assembly Demension	
da	79
Da	94.5
ra	1
rb	0.3
Loading(KN)	
Ca	36
Coa	76.5
RPM(r/min)	
Lub.	5600
Oil	7500
Oil groove and oil hole(mm)	
n	6.5
k	3.2
Stiffness(N/ μ m)	
Ra	506
Weight(Kg)	
\approx	1.01