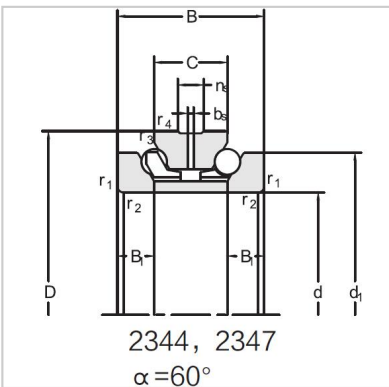


Angular Contact Ball Bearings

Double direction angular contact ball bearing-234710M



Bearing NO.	234710M
Dimension(mm)	
d	52
D	80
d1	70
T	38
C	19
B	9.5
rsmin	1
r1smin	0.2
Assembly Demension	
da	62.5
Da	75
ra	1
rb	0.15
Loading(KN)	
Ca	24
Coa	49
RPM(r/min)	
Lub.	7000
Oil	9500
Oil groove and oil hole(mm)	
n	4.8
k	3.2
Stiffness(N/ μ m)	
Ra	410
Weight(Kg)	
\approx	0.58