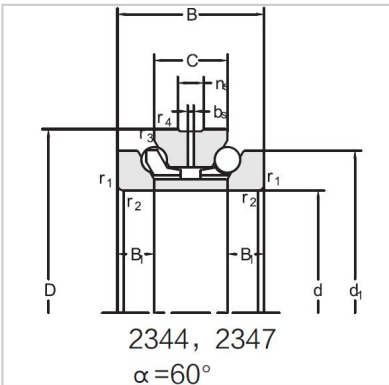


Angular Contact Ball Bearings

Double direction angular contact ball bearing-234709M



Bearing NO.	234709M
Dimension(mm)	
d	47
D	75
d1	65
T	38
C	19
B	9.5
r _{smin}	1
r _{1smin}	0.2
Assembly Demension	
da	57.5
Da	70
ra	1
rb	0.15
Loading(KN)	
Ca	23.2
Coa	45
RPM(r/min)	
Lub.	7500
Oil	10000
Oil groove and oil hole(mm)	
n	4.8
k	3.2
Stiffness(N/μm)	
Ra	387
Weight(Kg)	
≈	0.53