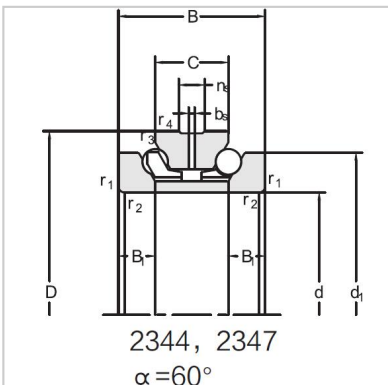


Angular Contact Ball Bearings

Double direction angular contact ball bearing-234708M



Bearing NO.	234708M
Dimension(mm)	
d	42
D	68
d1	58.5
T	36
C	18
B	9
r _{smin}	1
r _{1smin}	0.2
Assembly Demension	
da	51.5
Da	63.5
ra	1
rb	0.15
Loading(KN)	
Ca	20.8
Coa	38
RPM(r/min)	
Lub.	8500
Oil	12000
Oil groove and oil hole(mm)	
n	1.8
k	3.2
Stiffness(N/μm)	
Ra	354
Weight(Kg)	
≈	0.42