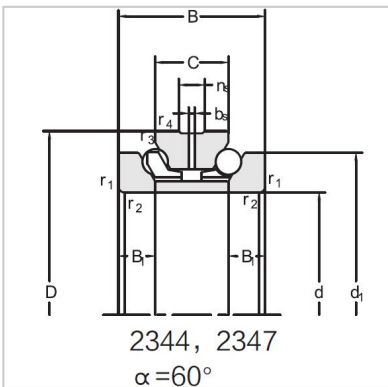


## Angular Contact Ball Bearings

### Double direction angular contact ball bearing-234706M



Bearing NO.	<b>234706M</b>
Dimension(mm)	
d	32
D	55
d1	48
T	32
C	16
B	8
r <sub>smin</sub>	1
r <sub>1smin</sub>	0.2
Assembly Demension	
da	40.5
Da	50.5
ra	1
rb	0.15
Loading(KN)	
Ca	14.3
Coa	24
RPM(r/min)	
Lub.	11000
Oil	16000
Oil groove and oil hole(mm)	
n	4.8
k	3.2
Stiffness(N/μm)	
Ra	276
Weight(Kg)	
≈	0.27