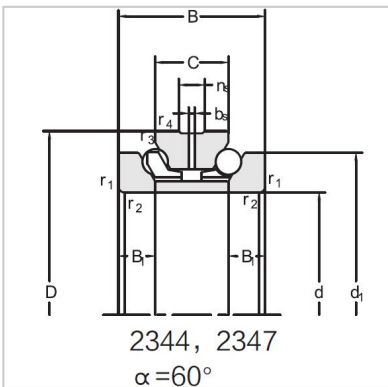


## Angular Contact Ball Bearings

### Double direction angular contact ball bearing-234456M



Bearing NO.	<b>234456M</b>
Dimension(mm)	
d	280
D	420
d1	374
T	164
C	82
B	41
rsmin	<b>4</b>
r1smin	1.5
Assembly Demension	
da	337.5
Da	394.5
ra	<b>3</b>
rb	1.5
Loading(KN)	
Ca	390
Coa	1270
RPM(r/min)	
Lub.	1300
Oil	1800
Oil groove and oil hole(mm)	
n	17.7
k	9.5
Stiffness(N/ $\mu$ m)	
Ra	1920
Weight(Kg)	
$\approx$	69