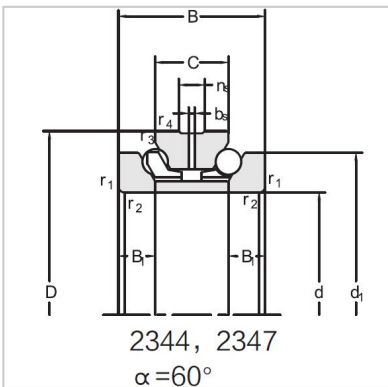


Angular Contact Ball Bearings

Double direction angular contact ball bearing-234452M



Bearing NO.	234452M
Dimension(mm)	
d	260
D	400
d1	354
T	164
C	82
B	41
rsmin	4
r1smin	1.5
Assembly Demension	
da	317.5
Da	374.5
ra	3
rb	1.5
Loading(KN)	
Ca	380
Coa	1180
RPM(r/min)	
Lub.	1400
Oil	1900
Oil groove and oil hole(mm)	
n	17.7
k	9.5
Stiffness(N/ μ m)	
Ra	1814
Weight(Kg)	
\approx	64.5