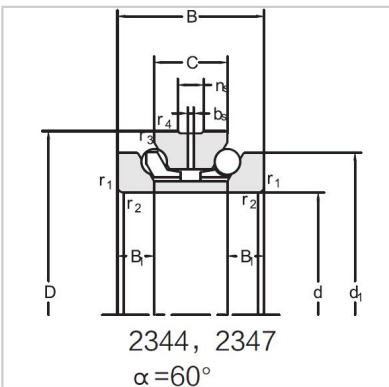


Angular Contact Ball Bearings

Double direction angular contact ball bearing-234448M



Bearing NO.	234448M
Dimension(mm)	
d	240
D	360
d1	322
T	144
C	72
B	36
rsmin	3
r1smin	1.1
Assembly Demension	
da	289
Da	338
ra	2.5
rb	1
Loading(KN)	
Ca	325
Coa	965
RPM(r/min)	
Lub.	1500
Oil	2000
Oil groove and oil hole(mm)	
n	15
k	8
Stiffness(N/μm)	
Ra	1729
Weight(Kg)	
≈	43.8