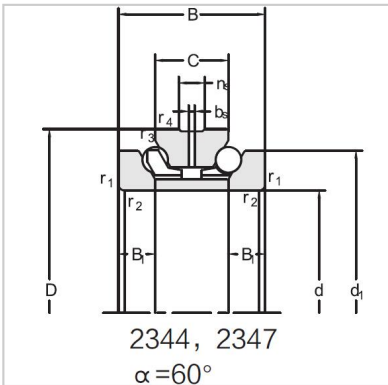


## Angular Contact Ball Bearings

### Double direction angular contact ball bearing-234444M



Bearing NO.	<b>234444M</b>
Dimension(mm)	
d	220
D	340
d1	304
T	144
C	72
B	36
rsmin	<b>3</b>
r1smin	1.1
Assembly Demension	
da	269
Da	318
ra	2.5
rb	1
Loading(KN)	
Ca	315
Coa	900
RPM(r/min)	
Lub.	1600
Oil	2200
Oil groove and oil hole(mm)	
n	15
k	8
Stiffness(N/μm)	
Ra	1629
Weight(Kg)	
≈	41.7