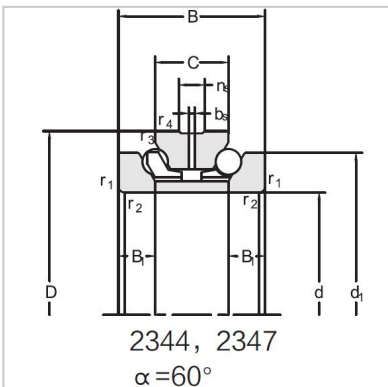


Angular Contact Ball Bearings

Double direction angular contact ball bearing-234440M



Bearing NO.	234440M
Dimension(mm)	
d	200
D	310
d1	274
T	132
C	66
B	33
rsmin	2.1
r1smin	0.6
Assembly Demension	
da	245
Da	291.5
ra	2.1
rb	0.6
Loading(KN)	
Ca	265
Coa	720
RPM(r/min)	
Lub.	1800
Oil	2600
Oil groove and oil hole(mm)	
n	15
k	8
Stiffness(N/ μ m)	
Ra	1449
Weight(Kg)	
\approx	31.5