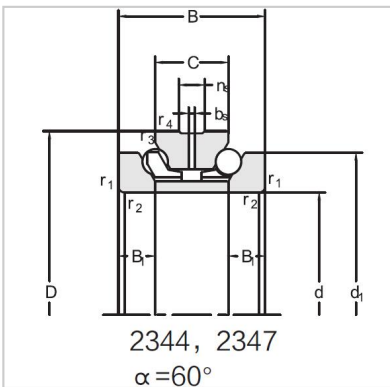


## Angular Contact Ball Bearings

### Double direction angular contact ball bearing-234436M



Bearing NO.	<b>234436M</b>
Dimension(mm)	
d	180
D	280
d1	248
T	120
C	60
B	30
rsmin	2.1
r1smin	0.6
Assembly Demension	
da	221
Da	263
ra	2.1
rb	0.6
Loading(KN)	
Ca	216
Coa	585
RPM(r/min)	
Lub.	2000
Oil	3000
Oil groove and oil hole(mm)	
n	15
k	8
Stiffness(N/ $\mu$ m)	
Ra	1315
Weight(Kg)	
$\approx$	23.4