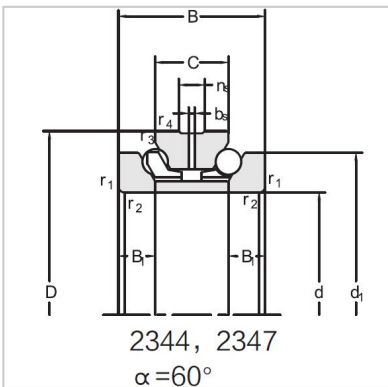


Angular Contact Ball Bearings

Double direction angular contact ball bearing-234430M



Bearing NO.	234430M
Dimension(mm)	
d	150
D	225
d1	200
T	90
C	45
B	22.5
rsmin	2.1
r1smin	0.6
Assembly Demension	
da	181
Da	211.5
ra	2.1
rb	0.6
Loading(KN)	
Ca	132
Coa	355
RPM(r/min)	
Lub.	2600
Oil	3600
Oil groove and oil hole(mm)	
n	15
k	8
Stiffness(N/ μ m)	
Ra	1183
Weight(Kg)	
\approx	10.8