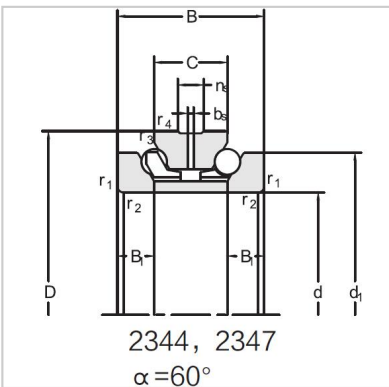


Angular Contact Ball Bearings

Double direction angular contact ball bearing-234421M



Bearing NO.	234421M
Dimension(mm)	
d	105
D	160
d1	142
T	66
C	33
B	16.5
rsmin	2
r1smin	0.6
Assembly Demension	
da	128
Da	150
ra	2
rb	0.6
Loading(KN)	
Ca	69.5
Coa	176
RPM(r/min)	
Lub.	3600
Oil	4800
Oil groove and oil hole(mm)	
n	9.5
k	4.8
Stiffness(N/μm)	
Ra	775
Weight(Kg)	
≈	4.07