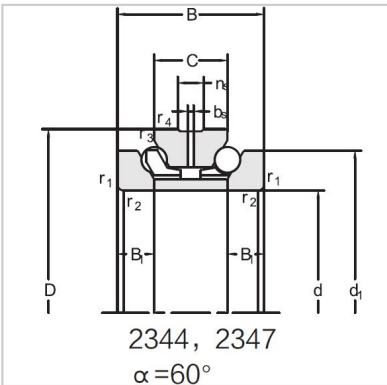


## Angular Contact Ball Bearings

### Double direction angular contact ball bearing-234417M



Bearing NO.	<b>234417M</b>
Dimension(mm)	
d	85
D	130
d1	115
T	54
C	27
B	13.5
rsmin	1.1
r1smin	0.3
Assembly Demension	
da	103.5
Da	122
ra	<b>1</b>
rb	0.3
Loading(KN)	
Ca	52
Coa	125
RPM(r/min)	
Lub.	4500
Oil	6000
Oil groove and oil hole(mm)	
n	9.5
k	4.8
Stiffness(N/ $\mu$ m)	
Ra	655
Weight(Kg)	
$\approx$	2.25