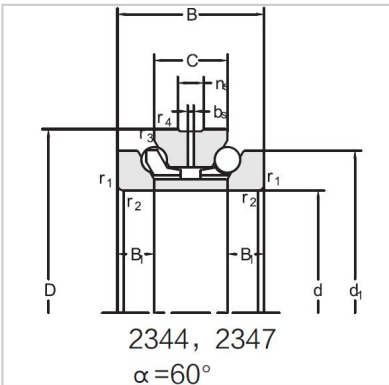


## Angular Contact Ball Bearings

### Double direction angular contact ball bearing-234409M



Bearing NO.	<b>234409M</b>
Dimension(mm)	
d	45
D	75
d1	65
T	38
C	19
B	9.5
r <sub>smin</sub>	1
r <sub>1smin</sub>	0.2
Assembly Demension	
da	57.5
Da	70
ra	1
rb	0.15
Loading(KN)	
Ca	23.2
Coa	45
RPM(r/min)	
Lub.	7500
Oil	10000
Oil groove and oil hole(mm)	
n	4.8
k	3.2
Stiffness(N/μm)	
Ra	387
Weight(Kg)	
≈	0.57