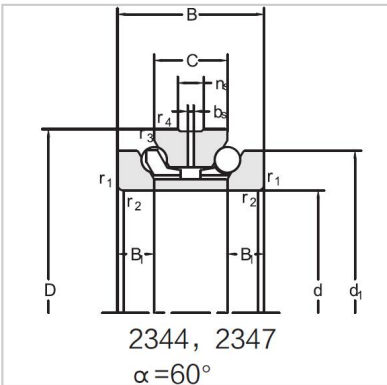


Angular Contact Ball Bearings

Double direction angular contact ball bearing-234407M



Bearing NO.	234407M
Dimension(mm)	
d	35
D	62
d1	53
T	34
C	17
B	8.5
r _{smin}	1
r _{1smin}	0.2
Assembly Demension	
da	46.5
Da	57.5
ra	1
rb	0.15
Loading(KN)	
Ca	17.6
Coa	31.5
RPM(r/min)	
Lub.	9500
Oil	14000
Oil groove and oil hole(mm)	
n	4.8
k	3.2
Stiffness(N/μm)	
Ra	316
Weight(Kg)	
≈	0.38