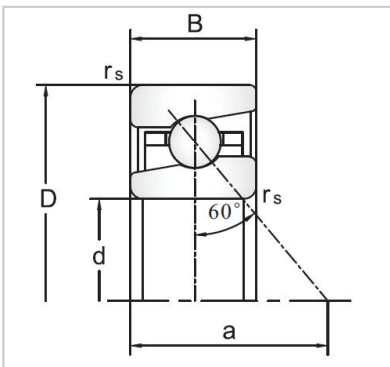
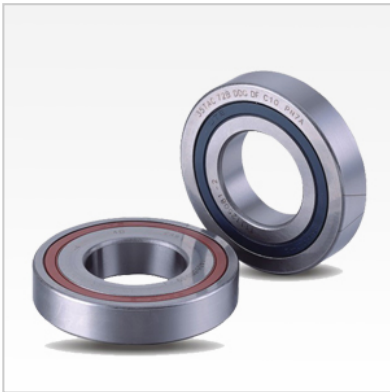


Angular Contact Ball Bearings

BS/TAC Series Ball Screw Support Angular Contact Ball Bearings-BS55120



Bearing NO.

BS **BS55120**

TAC 55TAC120C

Dimensions(mm)

d **55**

D **120**

B **20**

r Min **1**

r1 Max 0.6

Load Ca (N) 70.5

Rotation [min-1]

Lub. 2500

Oil. 3500

Stiffness (DB,DF) (N) H 5450

Rigidity (DB,DF) (N/μm) 1660

H

Torque (N[m] H) 0.49

Weight (kg) 1.23