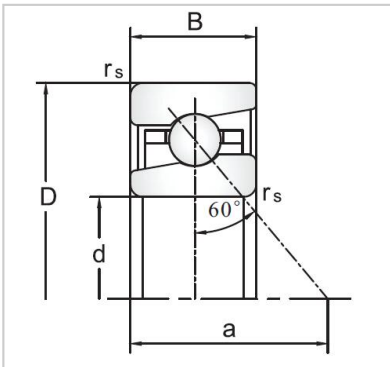
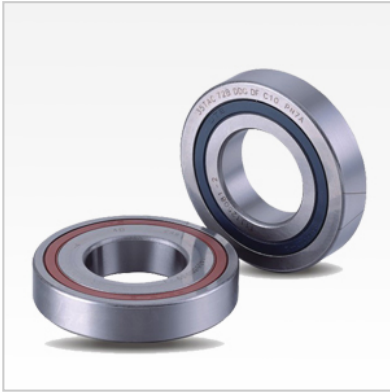


## Angular Contact Ball Bearings

### BS/TAC Series Ball Screw Support Angular Contact Ball Bearings-BS50100



Bearing NO.

BS **BS50100**

TAC 50TAC100C

Dimensions(mm)

d **50**

D **100**

B 20

r Min **1**

r1 Max 0.6

Load Ca (N) 66

Rotation [min-1]

Lub. 3000

Oil. 3900

Stiffness (DB,DF) (N) H 4650

Rigidity (DB,DF) (N/μm) 1410

H

Torque (N·m) H 0.42

Weight (kg) 0.778