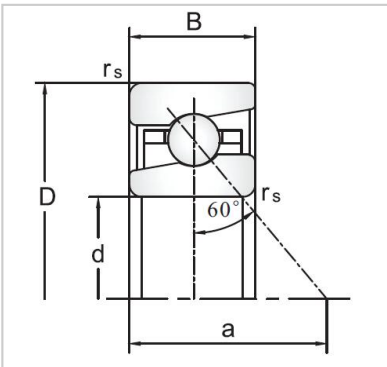
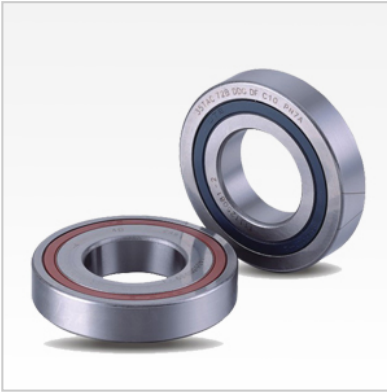


Angular Contact Ball Bearings

BS/TAC Series Ball Screw Support Angular Contact Ball Bearings-BS45100



Bearing NO.

BS **BS45100**

TAC 45TAC100C

Dimensions(mm)

d **45**

D **100**

B 20

r Min **1**

r1 Max 0.6

Load Ca (N) 64.5

Rotation [min-1]

Lub. 3000

Oil. 4100

Stiffness (DB,DF) (N) H 4440

Rigidity (DB,DF) (N/μm) 1340

H

Torque (N·m) H 0.4

Weight (kg) 0.842